

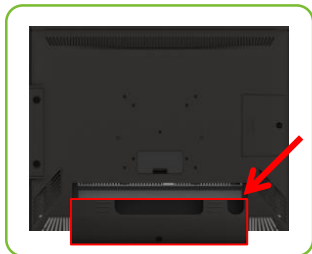
# Serie Performance

Terminale POS professionale  
ad alte prestazioni



### Easy Access

Accesso facilitato a interfacce e  
tasto ON/OFF



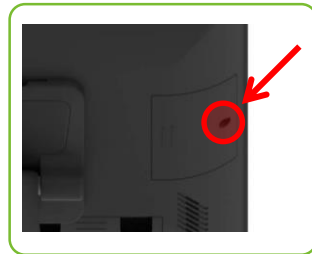
### Cable Cover

Cover di protezione cavi



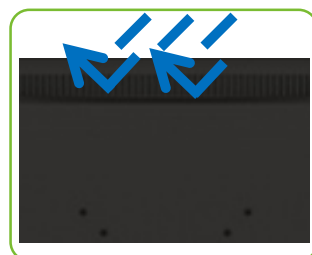
### IP 65

Protezione IP65 per liquidi e polvere  
(lato frontale).



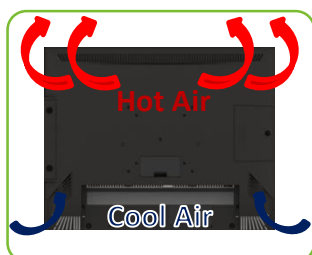
### Quick HDD Access

Accesso facile e immediato per SSD



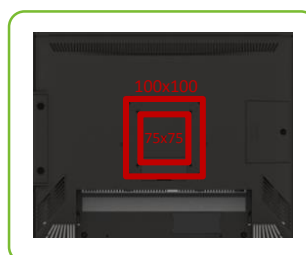
### Spill Proof

Design brevettato per la protezione  
dai liquidi (Versioni i3, i5 & i7)



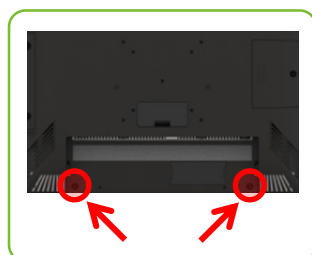
### Die-casting Housing

Design fan-less brevettato in  
pressofusione metallica per la  
dissipazione del calore (per i3 e i5)



### VESA Mount

Predisposizione VESA Standard  
75x75, 100x100 per montaggio a  
parete o pole-mount



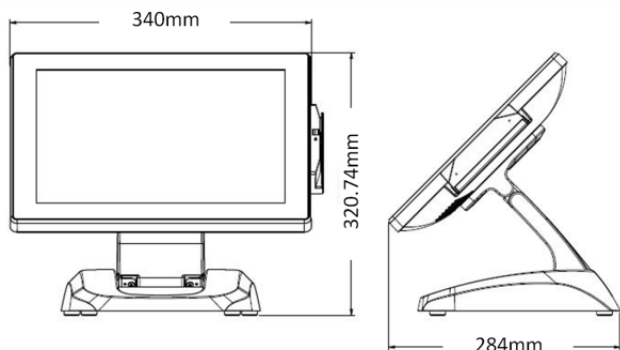
### Easy Service

Facilità di intervento: solo 2 viti per  
accedere a mainboard, LCD ecc.

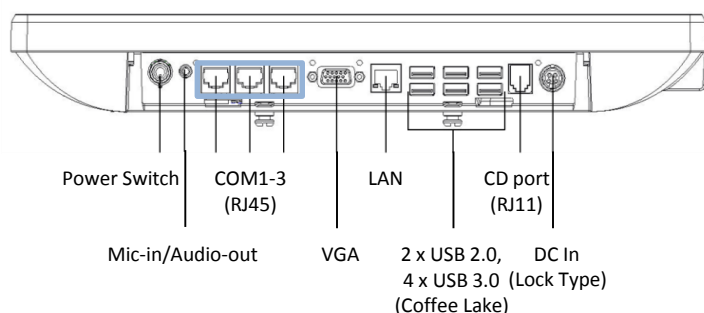
Modello P1-P2-P3

**bestpos**

## Dimensioni



## Schema Interfacce



## Specifiche Tecniche

Model		Serie Performance (P1, P2, P3)	
		<b>Intel® 8<sup>th</sup> Gen. Coffee Lake Platform</b>	
CPU Support		Pentium G5400T 3.10GHz (2 Cores – 4 Threads) – Modello <b>P1</b> Core i3-8100T 3.10GHz (4 Cores) – Modello <b>P2</b> Core i5-8500T 2.10GHz up to 3.50GHz (6 Cores) – Modello <b>P3</b>	
System Memory		DDR4, SO-DIMM x 2 (Max. 32GB)	
Storage	HDD	1 x 2.5" HDD (Optional)	
	SSD	1 x 2.5" SSD	
LCD	Size	15" TFT LED LCD Panel	
	Brightness	350cd/m <sup>2</sup> (Typ.)	
	Resolution	1024 x 768	
Touch Screen		True-Flat Projected Capacitive Touch or Resistive Touch	
Tilt Angle		0 ~ 120 degree	
External I/O Port	Rear	4 x USB 3.0 Ports & 2 x USB 2.0	
		3 x Serial port (RJ45); (COM1~3: 0/5/12V by BIOS)	
		1 x VGA (Power enable by BIOS; +12V)	
		1 x Cash Drawer Port (RJ11; +12V)	
		1 x LAN (10/100/1000)	
		1 x Mic-In/Speaker-out (Combo Jack)	
		1 x DC In	
		1 x Power Switch	
		2 x 2W speaker (Optional)	
		External power adapter, 84W/12V (Lock type)	
EMC Safety		CE, FCC Class A	
Environment	Operating Temperature	0°C ~ 35°C	
	Storage Temperature	-20°C ~ 60°C	
	Operating Humidity	20% - 85% RH non condensing	
	Storage Humidity	20% - 85% RH non condensing	
Security & Reliability		TPM 2.0	
OS Support		Windows® 10 IoT	
Dimension (W x D x H)		369.97 x 256.38 x 309.97 mm (With Stand)	
Weight (N.W./G.W.)		7 kgs(N.W.) / 8 kgs(G.W.)	
Wall Mount		VESA 100 x 100mm	
	MSR (USB)	MSR / MSR + Finger Print (Combo) / MSR + i-Button (Combo) / MSR + RFID (Combo) / MSR + EMV + RFID (Combo)	
	Customer display (USB)	Flush mount VFD display, 2x20 characters	
	2nd Display	9.7" (1024 x 768)	